

Priorclave Front Loading 200L Autoclave

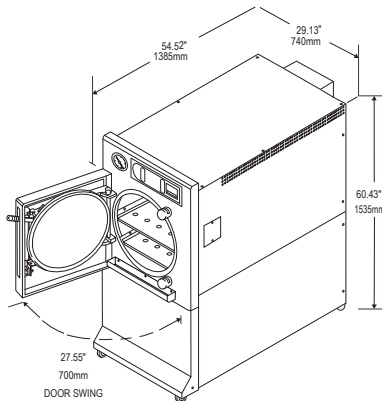
Free Printer!

Electrically heated with heaters in chamber.

With cylindrical chamber 500mmØ x 1,025mm D, the unit is suitable for a variety of loads and supplied with two shelves. Includes water cooled heat exchanger and 5-program memory.

5% Off
+
Free Printer

- Media Warming Facility
- 10-year door and chamber warranty
- Elements in chamber for ease of servicing
- Constructed to British Standards and complying with AS/NZS standards
- Grade 316L stainless steel chamber and is inherently safe with thermal and pressure interlocks
- USB port, fan forced cooling and timed free-steaming
- Single handed lever action door mechanism
- Low water level sensor
- Tactrol 3 microprocessor control with simple and fully variable setting of process time and temperature with graphic indication of cycle status
- Many optional extra's available including vacuum options, discard containers, loading trolleys and cassettes, wandering probe etc



| Description | Code | Price | Sale |
|--|----------------|-----------------|-----------------|
| 200L Front-Loading Electrically Heated Autoclave | PRI0EH200-BASE | \$37,742 | \$35,855 |

Contact us for more information
and to place your orders

Bio-Strategy Pty Ltd.

T: 1800 008 453
E: sales.au@bio-strategy.com
www.bio-strategy.com
shop.bio-strategy.com